

barbaric



Mobile Vacuum Handling

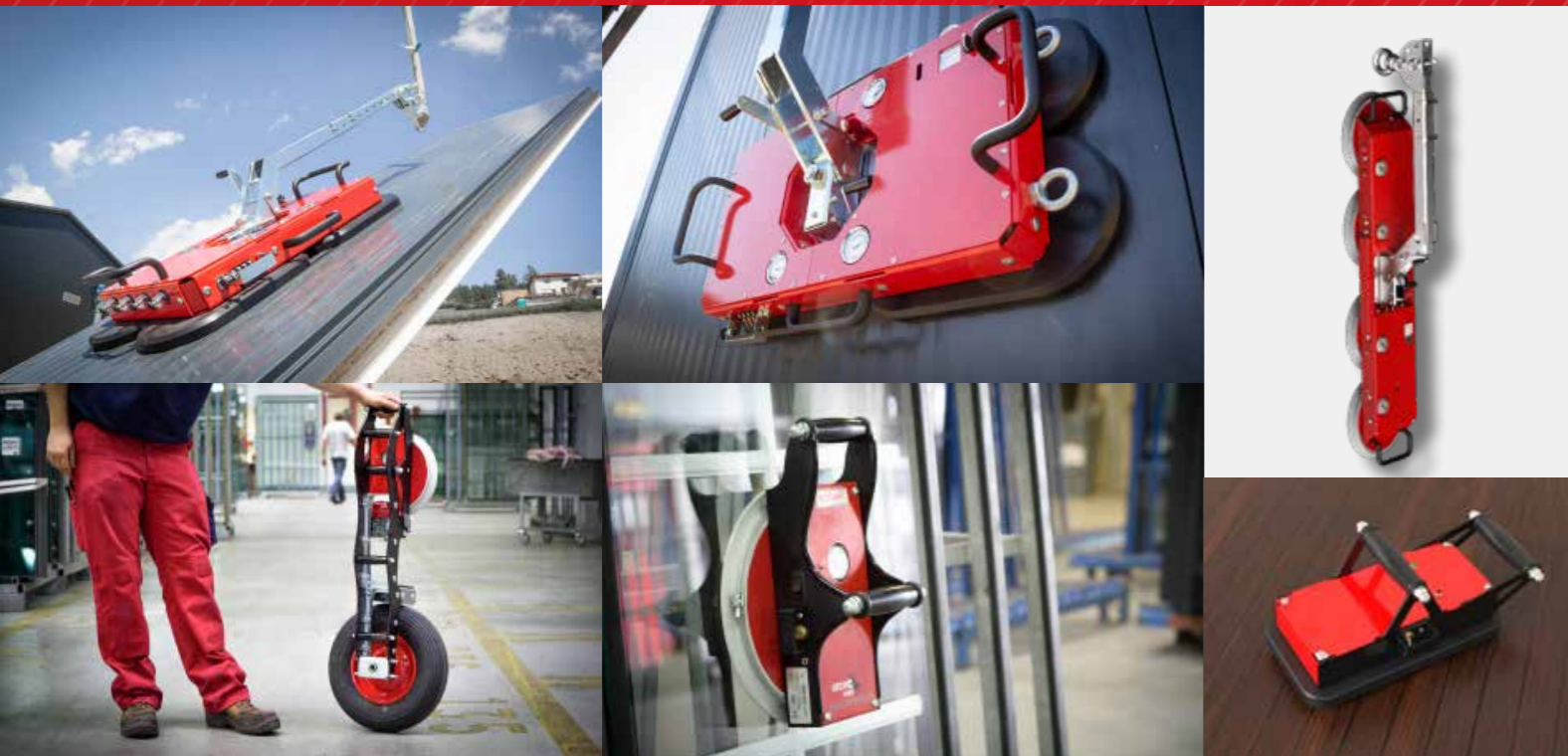




Mobile Vacuum Handling Equipment

Barbaric is known for a wide variety of vacuum lifters for wood and glass production. But beside this application, construction site equipment and vacuum lifters for mobile applications are equally among our strengths. Our lifting devices for mobile use are characterised by their battery operation and are often designed for suspension from mobile or indoor cranes. Two or four-circuit vacuum systems make our vacuum lifters the safest lifting devices on the market.

Ideas that move.



ConstructionLifter Series CSL

Our vacuum lifters for use on construction sites.

Our CSL ConstructionLifters are battery-powered and specially designed for the mobile use on the construction site. Features of these lifters are a robust and compact design, a particularly durable rechargeable battery system that allows for a runtime of up to several hundred suction processes as well as maximum ergo-

nomics for easy handling. All lifters of this series are equipped with two- or four-circuit vacuum technology and have several redundant batteries - for maximum safety and minimal risk on the construction site.

www.barbaric.at

ConstructionLifter CSL Type Z

Our allrounder for a wide variety of surfaces on the construction site.



Fields of application

Unique safety and flexibility - our product innovation for use at the construction site.

- > Handling of flat and structured surfaces
- > Installation of facade elements
- > Assembly of glass or stone elements and metal sheets

Functions

The ConstructionLifter CSL Type Z is our allrounder for the use on construction sites. With a maximum weight of 500 kg, panels can be moved not only vertically but also horizontally. Absolutely unique is our proven four-circuit technology, which ensures the greatest possible safety in mobile construction site use.

Technical data

- > Working load: max. 500 kg
- > Minimum suction time due to high suction capacity of the pumps
- > Special ergonomics: several handles allow easy handling
- > Dual battery system for long operating time (up to 200 suction processes)
- > Horizontal and vertical transport possible (rotation and tilt function)
- > Low weight due to aluminium construction
- > Four vacuum gauges and a safety signal-horn for pressure monitoring
- > Water separators ensure safe use even in humid conditions
- > Crane eye for mounting an assembly rope
- > Incl. practical transport trolley for optimal storage and safe transport (see picture on the right)



Further information



Product innovation from Austria.

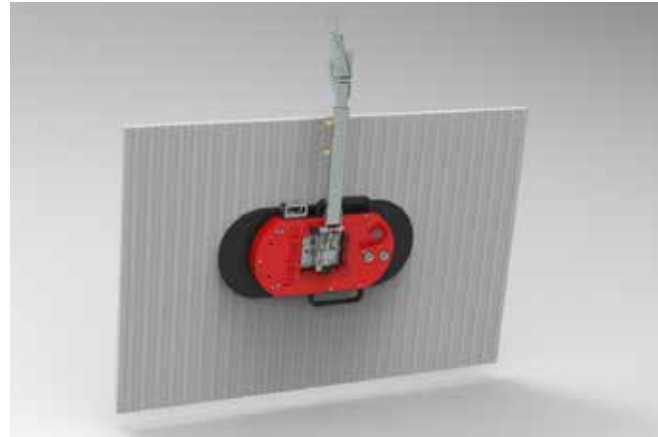
The suction cups of our CSL ConstructionLifter series with our particularly elastic and robust sealing lip are suitable for both flat and structured surfaces. The built-in double battery system not only ensures a long life of up to 200 suction processes, but also provides special safety on the construction site due to the redundant design of the batteries.

www.barbaric.at

ConstructionLifter CSL Type O



Our universal lifter for construction sites with compact design.



Fields of application

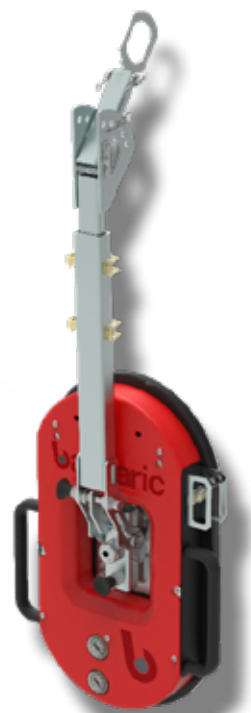
- > Handling of flat and structured surfaces
- > Installation of facade elements
- > Assembly of glass or stone elements and metal sheets

Innovative. Versatile. Robust.

The ConstructionLifter CSL Type O is our universal lifter for construction site use with a particularly compact design. The innovative suction cup design combines two suction cups in one vacuum unit and thus enables special ergonomics and safety. A two-circuit vacuum pump system ensures the greatest possible safety in mobile use on the construction site. With a maximum load capacity of 250 kg, loads can be moved not only vertically but also horizontally.



Further information



Functions & Features

- > Working load: max. 250 kg
- > Innovative suction cup design with two vacuum chambers
- > Universally applicable sealing lip for structured and flat surfaces
- > Highest possible safety through two-circuit technology
- > Minimum suction time due to high suction capacity of the pumps
- > Special ergonomics: several handles allow easy handling
- > Modern dual battery system
- > Long operating time with one battery charge
- > Horizontal and vertical transport possible (rotation and tilt function)
- > Low weight due to aluminium construction
- > Two vacuum gauges and a safety signal-horn for pressure monitoring integrated

ConstructionLifter CSL Type I



The handling solution for fast and safe installation of long glass panels on construction sites.



Fields of application

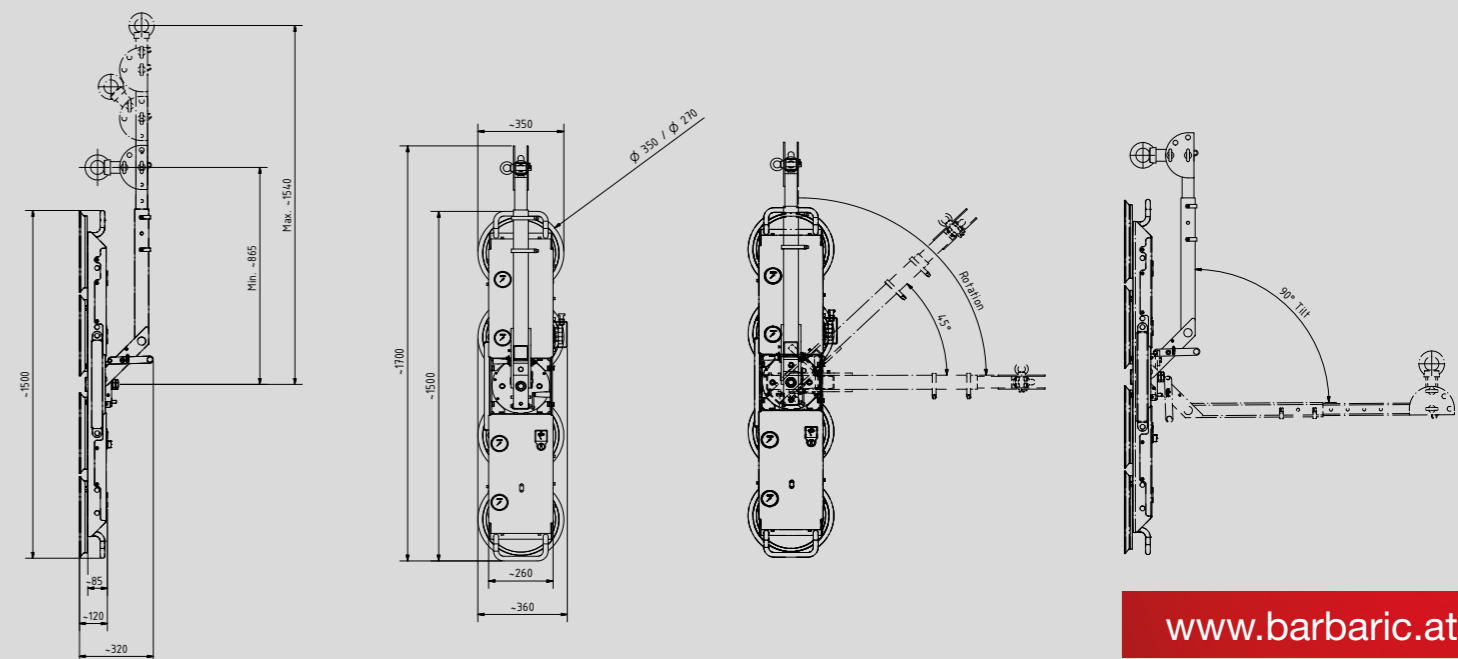
- > Fast and safe installation of glass panels on construction sites
- > Handling of long glass or panels with flat surface

Functions

The ConstructionLifter CSL Type I with its special arrangement of suction cups is the optimal solution for the handling of long and narrow glass panels or similar components with flat surfaces. With a maximum working load of 500 kg, panels can be moved not only vertically but also horizontally. Absolutely unique is our proven four-circuit technology, which ensures the highest possible safety in mobile construction site use.



Product video



www.barbaric.at

ConstructionLifter CSL Type X

CSL
Construction
LIFTER

The optimum handling solution for large panels with flat surfaces.



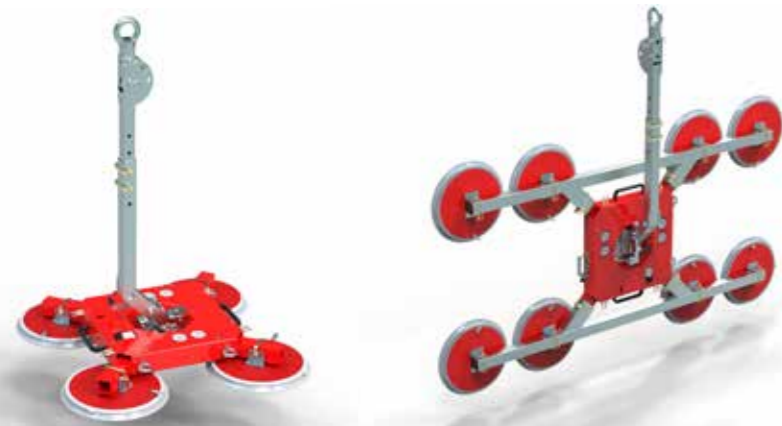
Functions & Features

Battery lifter in lightweight construction with four-circuit vacuum system. Suitable for vertical and horizontal transport of flat glass on-site. Infinite 360° rotation range, tilting range 90° with locking mechanism in different positions. The ConstructionLifter CSL Type X is equipped with a telescopic and removable arm. Without the suspension arm, the lifter has a very small construction size. Appropriate safety equipment is included in the basic version.



Versatile areas of application

With the extension arms, the base body can easily be modified for different applications, allowing for a versatile application with greatest simplicity and ergonomics. For further versatility we also offer CSL Type X extension arms, that can increase the maximum working load up to 1000 kg with four extra suction cups.



EasyLifter EZL Mini U

EZL
Easy
LIFTER

Innovative mobile battery suction cup for various surfaces.

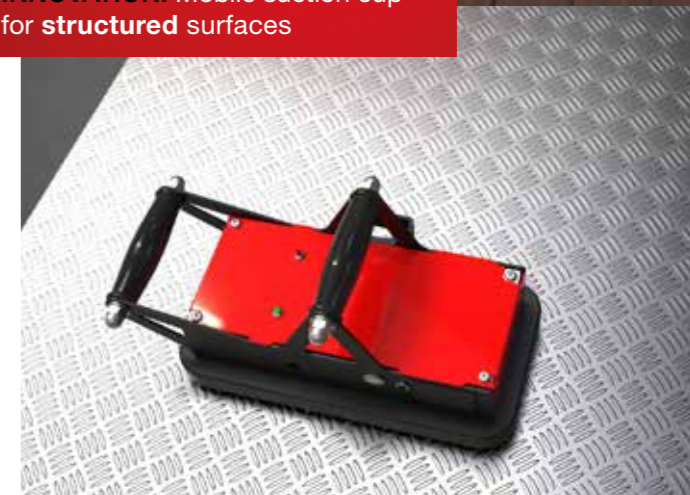


Functions

While our EasyLifter Mini is designed for flat and smooth surfaces only, the EasyLifter EZL Mini U with its flexible sealing lip is designed for both structured and smooth surfaces. The handling is easy and guarantees a safe and trouble-free movement of loads. Due to its versatility, the EasyLifter Mini U can be used for a wide range of different applications: Glass industry, windows, furniture, facade elements, stone slabs, motor vehicle sector, load securing, metalworking, and much more.

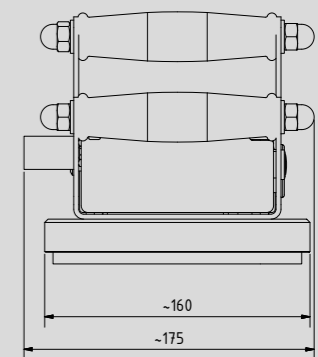
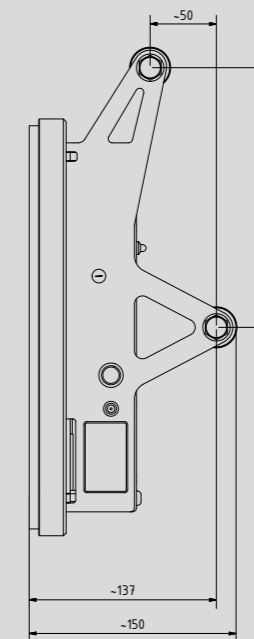
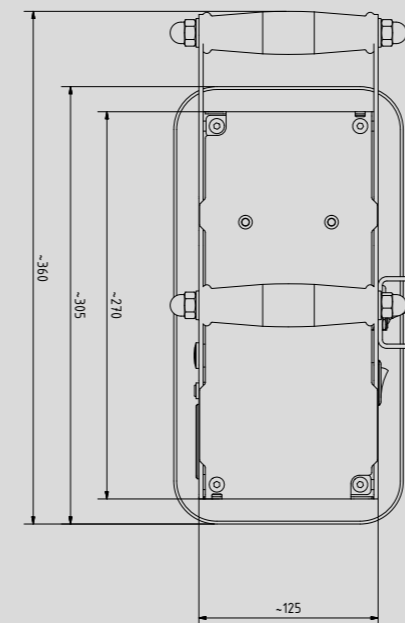
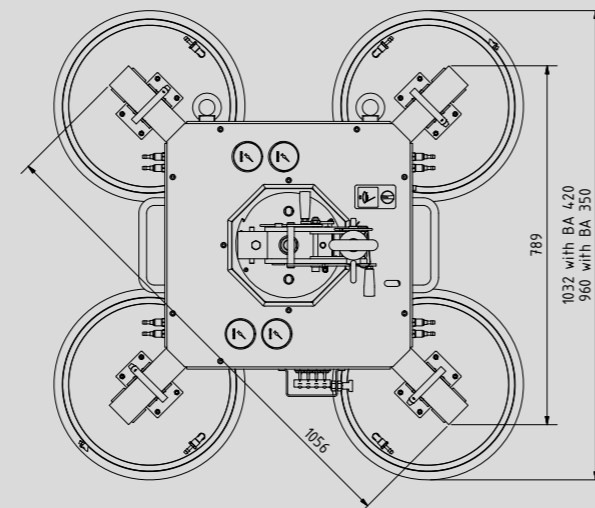
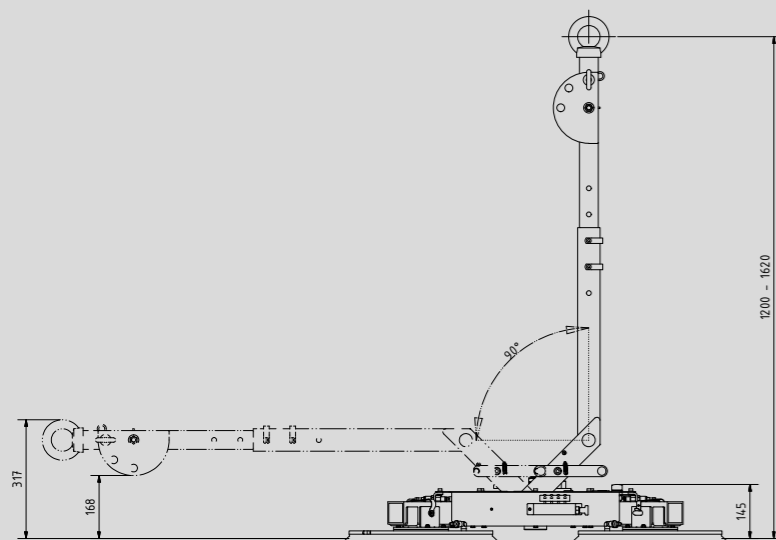


INNOVATION: Mobile suction cup for structured surfaces



Technical data

- > Working load: max. 80 kg
- > Suction cup: 305 mm x 160 mm (interchangeable)
- > Modern dual-battery system with lithium-ion technology
- > Long operating time with one battery charge (up to 1000 suction processes)
- > Fast suction time of approx. 2 sec
- > Vacuum monitoring system
- > Battery-powered vacuum pump
- > Charging unit included (230 V)
- > Lightweight construction – weight approx. 3 kg



www.barbaric.at

EasyLifter EZL Mini

EZL
Easy
LIFTER



Universal battery mobile suction cup for flat surfaces.

Functions

The EasyLifter EZL Mini is designed to work on battery power. It could not be easier to operate, and makes moving loads safe and hassle-free. Two operating handles for easy manipulation are mounted on the lifter. The only requirement is a solid material with smooth surfaces. Thanks to its versatility, the EasyLifter Mini can be used for a wide range of different applications: Glass industry, windows, furniture, facade elements, stone slabs, motor vehicle sector, load securing, metalworking, and much more.



Technical data

- > Working load: max. 100 kg
- > Suction cup: Ø 270 mm (changeable)
- > Battery operation of up to 300 suction processes
- > Fast suction time approx. 2 sec
- > Vacuum monitoring system
- > Battery-powered vacuum pump
- > Charging unit included (230 V)
- > Lightweight construction – weight approx. 3 kg



Product video

EasyLifter EZL Roll

Mobile suction cup for various areas of application.

The EZL Roll adapter can be connected to the EZL Mini in a few quick steps. This adapter moves glass and windows with max. 200 kg on site. The large, air-filled wheel can also be easily moved over steps as well.

Our **EZL Protector** also helps with the rotation of glass plates and protect the glass corners and therefore prevent damages on either glass or floor.



BatteryLifter BAT 1M

BAT
Battery
LIFTER



Particularly compact vacuum lifter for use with overhead cranes.

Fields of application

Innovative, compact and ergonomic. Our compact vacuum lifter for use on overhead cranes.

- > Use on an overhead crane or other lifting equipment
- > Easier manipulation throughout processing steps
- > Universal use as an assembly aid

Functions & Features

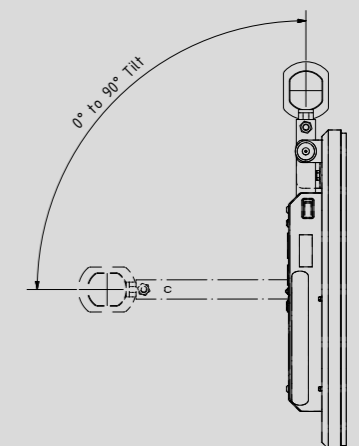
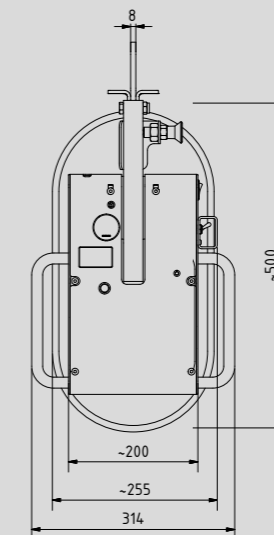
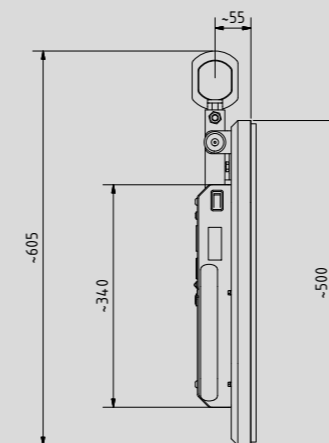
- > Working load: max. 125 kg
- > Universally applicable suction cup for structured and flat surfaces
- > Minimum suction time due to high suction capacity of the pumps
- > Horizontal and vertical transport possible (manual rotation and tilt function)
- > Low weight due to aluminium construction
- > Pressure gauges and a safety signal-horn for pressure monitoring integrated
- > Particularly compact design allows effortless handling
- > Modern battery system with lithium-ion technology
- > Long operating time with one battery charge (up to 1000 suction processes)



Product video

Flexible lifting on a crane

The BatteryLifter BAT 1M enables simple and flexible lifting of workpieces for indoor use at the overhead crane. The very compact design allows an effortless lifting of bulky workpieces with different surfaces. With a maximum load capacity of 125 kg, workpieces can be moved not only vertically but also horizontally.



> Rotation range from 0° - 90°

www.barbaric.at

Your competent partner also in panel and parts handling for trade and industry



At Barbaric, our goal is to provide optimal solutions for every handling application - not only in the field of manual vacuum lifting technology. In addition to our vacuum lifters, we also develop automatic systems in the field of panel and part handling for commercial or industrial production plants.

Automatic panel and part handling

Our intelligent solutions are used by many customers around the globe.

- > Panel storage systems
- > Feeding systems
- > Buffer storage
- > Return systems

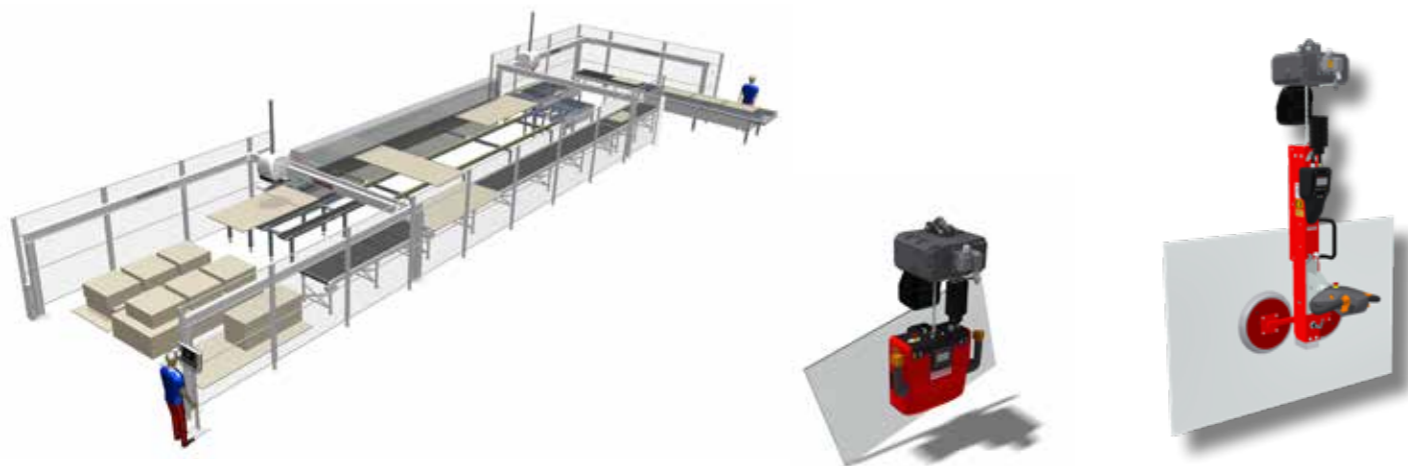
are just a few examples of modern systems in the field of material handling. Each system in this area is built individually according to our customers' requirements, while existing components and proven concepts are used.

Manual handling solutions

We also offer suitable lifting equipment for customers from the glass industry or for use on construction sites.

Barbaric supplies optimal handling solutions for safe and ergonomic lifting applications. Manual vacuum lifters from Barbaric enable efficient handling of heavy panels and save valuable time in production. Heavy lifting tasks can be performed effortlessly by just one operator.

By purchasing suitable handling solutions, sickness-related absences can be minimized and attractive jobs created for the employees.



Service / After-Sales

WE RELY ON A GOOD CUSTOMER RELATIONSHIP - EVEN EVEN AFTER THE SALE.

Quality, efficiency and innovation - three keywords that apply specifically to Barbaric's service competence. The employees of our service hotline have been with us for many years and have

excellent knowledge of our products. They will be happy to help you - no matter whether it is a spare part, maintenance or service request.

Technical support

Mo. – Fr. 07:00 – 16:00

Hotline: +43 732 779800-300

E-mail: service@barbaric.at

Spare Parts

Mo. – Th. 07:00 – 16:00
Fr. 07:00 – 12:00

Hotline: +43 732 779800-400

E-mail: spareparts@barbaric.at

Ideas that move.



Ideas that move.

Headquarter

Barbaric GmbH

Pummererstrasse 12
4020 Linz, Austria
Phone: +43 732 779800
email: office@barbaric.at

Production facility

Barbaric GmbH

Lichtenberger Strasse 37
4201 Eidenberg, Austria

Sales locations & subsidiaries



Germany

Barbaric GmbH Germany
Lammgasse 7
75382 Althengstett, Germany
Phone: +43 732 779800
email: germany@barbaric.at



North America

Barbaric North America Inc.
301 Kitty Hawk Drive
US-27560 Morrisville
Phone: +1 919 425 2803
email: info@barbaric.us

www.barbaric.at



Image video