

barbaric



Glass handling





Product series



Innovation - from idea to final installation

As complex as the requirements of our customers may be, we offer an optimal solution for every handling task. From the idea of the customer to constructive implementation, from production to assembly and finally the customer handover - you will be accompanied by an experienced team of technicians.

Barbaric glass vacuum lifters with patented components and handling solutions are developed in house and offer special ease of use and a unique safety standard that has never been reached before in the glass industry.

Ideas, that move.

The optimal solution for every handling task

Lifting processes of flat glass, windows and insulated glass units require light, stable constructions with minimum weight and flexible suction beams for all applications in glass transport.

Barbaric lifters are a functional unit consisting of lifting system and vacuum suction unit. Our products enable efficient handling of heavy panels and save valuable time in production.

While conventional manual manipulation requires 2-3 employees, a vacuum lifter system allows a single employee to move oversized glass with maximum ergonomics and without physical exertion.

www.barbaric.at

UGL UniGLASS	Standard lifter series for modern glass handling	4
GML GLASSmini	Compact standard lifters for the modern glass production	7
Safety Kit	The ultimate safety upgrade for your handling system	8
IGL ISOGLASS	Individual solutions for the insulated glass (IG) production	9
SFT SafetyGLASS	Safety lifter series with integrated safety test	10
Crane/ Craneway SYSTEMS	Crane- and craneway systems by Barbaric	12
Special SOLUTIONS	Individual lifting solutions for special applications	13
Special BEAMS	Special beams for various applications	14

UniGlass Lifter Series

Our most frequently used lifting devices for glass handling.

The Lifters of our UniGlass series are standard vacuum lifters for flat glass, insulated glass (IG) or windows with special safety measures.

Functions & Features

Narrow body for optimal view on the working area. Lifter with tilting device for glass and windows. For vertical lifting activities with different suction beams.

- > Electro-hydraulic rotation mechanism for a rotation range of 200° vertically
- > Incl. safety system to protect against unintentional letting go of the glass due to incorrect operation
- > Blow-off feature for quick release of glass sheets
- > Continuous and smooth movements (0 - 10 m/min.)
- > Chain hoist overload safety feature
- > Load beam with many variations depending on application and glass thickness (page 14)
- > Vacuum generation: pneumatically with safety function



Also available with our
Safety Kit
Details on page 8.

UniGlass UGL 2S

The glass production allrounder and our absolute bestseller.

Fields of application

For glass up to 3.3 x 2.5 m size and 250 kg weight.

Ideal for all processes with vertical processing:

- > Vertical edging machines
- > Vertical CNC machines
- > Vertical washers
- > Manipulation on A-frames
- > Insulated glass lines
- > Window production on vertical presses
- > Window assembling
- > and many more



The perfect combination. As a complete solution, we also offer our lifters together with the matching craneway system or pillar jib crane (Page 12).



Product video



UniGlass UGL 4

The allrounder for all applications in flat glass up to 500 kg.

Fields of application

For glass up to 3.3 x 2.5 m resp. up to 6 x 3.3 m with optional Y-slip beam and 500 kg weight.

Ideal for a wide range of applications:

- > Horizontal and vertical glass processing machines
- > Washing, grinding, curing, laminating or cutting in horizontal and vertical position
- > Loading and unloading of autoclave cars
- > and many more

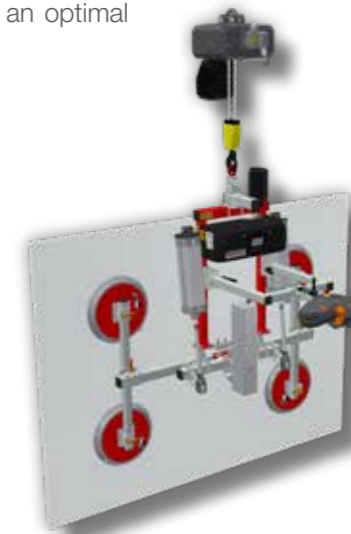
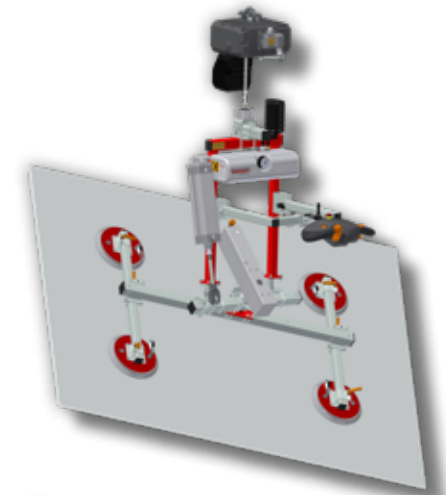
Functions & Features

Handling device for all lifting activities in the glass, window or door production with different types of the suction beams. Very compact body for an optimal view on the working area.

- > Rotating 200°, optional 360° endless
- > Tilting function 90°
- > Incl. safety system to protect against unintentional letting go of the glass due to incorrect operation
- > Blow-off feature for quick release of glass sheets
- > Continuous and smooth movements (0 - 10 m/min.)
- > Load beam with many variations depending on application and glass thickness (page 14)
- > Chain hoist overload safety feature
- > Vacuum generation: pneumatically with safety function
- > Special designs up to 2000 kg possible



Product video



Also available with our
Safety Kit
Details on page 8.

Alternatively available in the versions lifting only, lifting & rotating, lifting & tilting. All products on www.barbaric.at.

The perfect combination. As a complete solution, we also offer our lifters together with the matching craneway system or pillar jib crane (Page 12).





Special lifting device for tilting glass up to 2.5 x 1.5 m and a weight of 250 kg.

Fields of application

- > Coating lines (suction on the uncoated side)
- > Turning of glass for double-sided processing (furniture hardware fittings assembly)
- > Printed glass - removal from the unprinted underside (special table required)

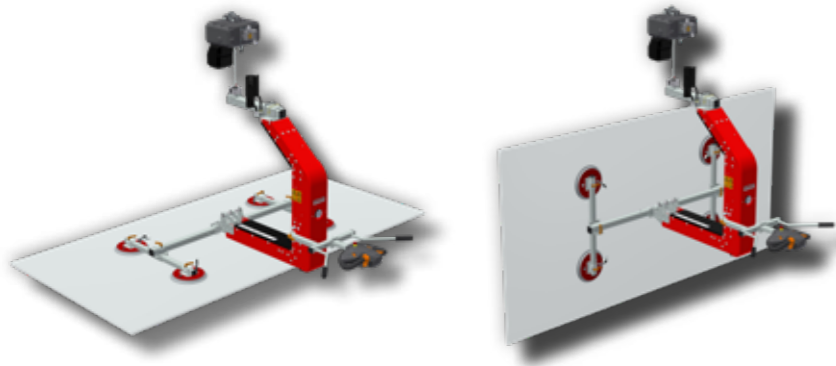


Product video

Functions & Features

- > Tilting of parts 180° horizontally
- > Continuously variable tilting speed
- > Complete solution with chain hoist, infinitely variable
- > One-handed operation through ergonomic handle
- > Manual adjustment of the center of gravity
- > Vacuum is generated pneumatically by a venturi-nozzle (vacuum ejector)

Horizontal tilting of parts by 180°



Technical data

- > Working load: 250 kg
- > Tilting speed: approx. 6 sec./90°
- > Suction cups: Ø 270 mm (other suction cups available according to requirements)
- > Lifting speed: 0 - 10 m/min. continuously with frequency converter
- > Operating voltage: 230 V / 50 Hz

The perfect combination. As a complete solution, we also offer our lifters together with the matching craneway system or pillar jib crane (Page 12).



Fast - compact - safe. Unique handling solution for quick manipulation of parts with flat surfaces.

Functions & Features

- > Unique handling solution for quick manipulation of parts with flat surfaces. Designed for all quick handling processes in glass and window production
- > Ergonomic construction with handles on both sides of the frame
- > One-handed operation with continuous lifting mechanism
- > All operating elements are integrated in the compact body

All advantages at a glance

- > Lightweight material handling by small construction and low weight
- > Interchangeable suction cups, tested and durable rubber material with minimum suction cup prints
- > High safety standard with pneumatic vacuum generation and secured release function
- > Overload protection on the chain hoist
- > Safety signal-horn and vacuum gauge integrated in the base body

GML 1 - quick and easy lifting



Product video

GML 2 - with 360° rotation function



Product video

Technical data

- > Working load: up to 150 kg
- > Suction cups: Ø 270 mm or 350 mm
- > Vacuum generation: pneumatically with safety function
- > Lifting speed: up to 20 m/min. regulated continuously
- > Suction time: approx. 2 sec.
- > Release time: approx. 1 sec.
- > 360° (endless) rotation function at model GML 2

The perfect combination. As a complete solution, we also offer our lifters together with the matching craneway system or pillar jib crane (Page 12).



Also available with our

Safety Kit

Details on page 8.

The ultimate safety innovation for all Barbaric handling systems.



Product video

Available as an **OPTIONAL UPGRADE** for any Barbaric Vacuum Lifter!

An innovative Upgrade for your handling system.



The SafetyKit vastly increases user safety and adds a wide range of other features to the handling system as well.

The main advantages at a glance:

- > Eco-Mode (Compressed air saving function)
- > Maximum safety for the operator
- > Pressure and vacuum monitoring
- > Weight sensor for load control
- > Automatic test of suction performance
- > Detailed error reports & statistical analysis
- > Service and maintenance reminders

Brand new options for 2020 SafetyKit models:

- > Automatic suction start while approaching the glass
- > Suction cup switch-off and automatic reduction of maximum weight



Product video

www.barbaric.at

ISO GlassLifter IGL

Individual lifting solutions for lifting processes in the insulating glass production.



Product video

IGL ISOLifter

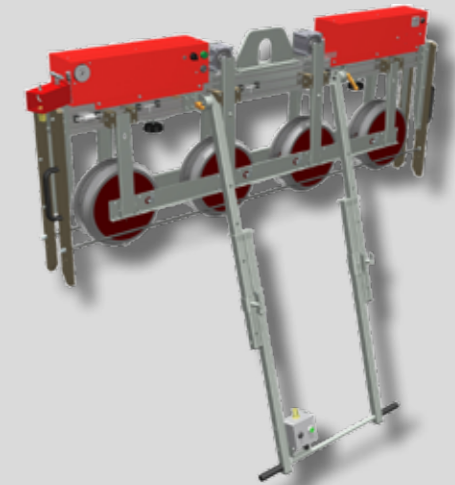
For vertical transport of insulating glass up to 6 x 3.3 m with support feet to prevent the sheets from slipping.

For working loads up to 2100 kg. Hydraulic support legs with electrically adjustable glass support block for stabilising the glass during manipulation after sealing, including hydraulically adjustable suspension point for hooking into the customer's crane hook. The device can also be used without support feet for single sheets.

IGL GripLifter

Vacuum lifter for the effortless vertical transport of insulating glass.

For the vertical transport of insulating glass units up to 6 x 3.3 m with rows of suction cups on both sides to prevent the glass from slipping. Special design for hanging on a overhead crane as well as on a truck-mounted crane. Available in battery or electrical version.



Product video

EasyLifter ISO

Mobile suction cup for one-handed manipulation with extra support for previously sealed insulating glass.

The EasyLifter ISO is designed to work on battery power. It could not be easier to operate, and makes moving loads safe and hassle-free. Two operating handles for easy manipulation are mounted on the construction. The EasyLifter is powered by a modern rechargeable battery system, which allows a runtime of up to 200 suction processes on smooth surfaces. The adjustable support leg provides optimum support when transporting freshly sealed IG units. Working load: max. 150 kg.

Maximum safety & ergonomics in glass handling. Safety lifter series with integrated safety test.

The innovative SafetyLifter series sets a new standard for high safety in glass handling, combining state-of-the-art safety features with maximum comfort for an effortless operation. An integrated self-test during system start-up checks the system for proper function and ensures the highest level of reliability.

Depending on the version, the vacuum lifters are suitable for vertical and/or horizontal transport of flat glass up to a maximum size of 3.3 x 2.5 m.

The electric rotation mechanism enables rotation ranges of 100° (optionally also 360° endless). Vacuum generation: pneumatically with safety function.



Product video

Multiple versions available:

SFT 2S

- > Narrow body for improved access and overview of the workspace
- > Vertical transport of flat glass
- > Rotation range 360° endless
- > Working load: 300 kg max.



SFT 4

- > For vertical and horizontal transport of flat glass 3.3 x 2.5 m
- > Rotation range of 100°
- > Electric tilting unit for 90° tilt range
- > Working loads: up to 500 kg
- > Endless rotation optional
- > Special designs with higher working load capacities possible

Alternatively available in the versions lifting only, lifting & rotating, lifting & tilting. All products on www.barbaric.at.

The perfect combination. As a complete solution, we also offer our lifters together with the matching craneway system or pillar jib crane (Page 12).

Patented lifting system with highest achievable safety standard

With this Barbaric innovation the lifting of glass, windows and doors becomes absolutely secure.

Through the integrated control system the lifting process is constantly monitored and incorrect operation is prevented. In a compelling self-test after switching on, all system components and safety systems are tested for proper operation. One part of this test is a suction test, this data is

collected and the result is saved. Then, the lifter is released as safe. This test can be performed periodically or once per shift according to customer requirements. The test ensures the operator high availability of the lifter and the early detection of errors or overdue maintenance works.

Unique lifter features

- > Individual suction cups can be turned off temporarily and per each lifting procedure. The load capacity is automatically reduced.
- > Lifting of horizontal glass without sufficient operating vacuum is stopped immediately.
- > The actual lifting weight is displayed constantly.
- > If necessary, the use of support legs is required and controlled.
- > The suspension point, and thus a steep position of the glass can be adjusted electrically.
- > Through the registration of the currently raised glass weight the lifter can be controlled in all functional areas.



Surfaces of the safety test

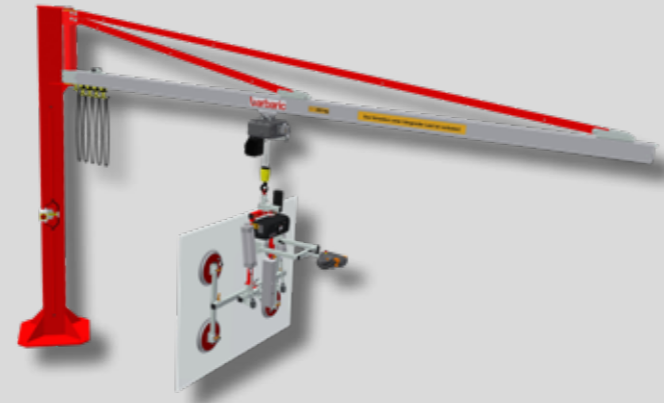
Safety and control

- > Entire lifter control via touchscreen surface
- > Obligatory safety test at start
- > Visualized guide through the safety test
- > Release after examination of the suction cups, vacuum generation, load and tightness
- > Automatic logging of tests for internal audit. Query option of upscale weights or failures. Transmission optional via Wi-Fi.

All crane systems come from our own production and are specially designed and built for handling tasks.

Pillar jib crane SSK

Slewing crane systems in lightweight construction for all working loads and arm lengths. On request with enlarged mounting plate. Also available for wall mounting.

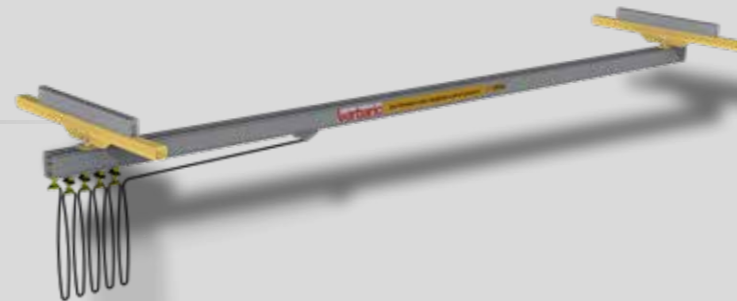


Light craneway system SSY

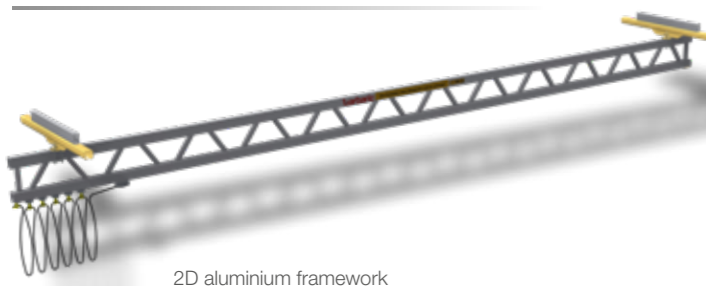
Lightweight craneway system with steel bridge for manual operation allows track gauges of up to 8 m. All trolleys with guide rollers on the side.

Craneway system with aluminium bridge

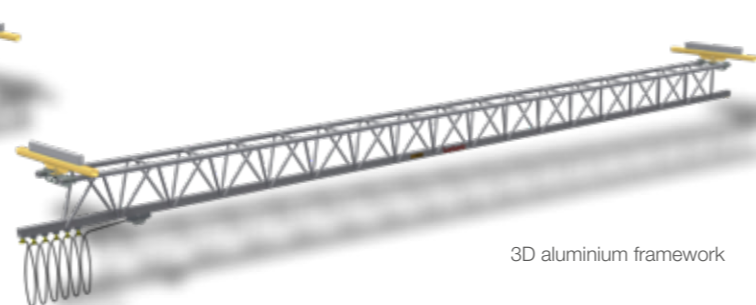
Lightweight craneway system with aluminium bridge for manual operation (track gauges of up to 20 m). Special aluminium frameworks allow high loads up to 500 kg and the greatest possible operating comfort.



Aluminium framework bridges



2D aluminium framework



3D aluminium framework

As varied as the requirements of our customers are - we offer an optimal solution for every handling task.

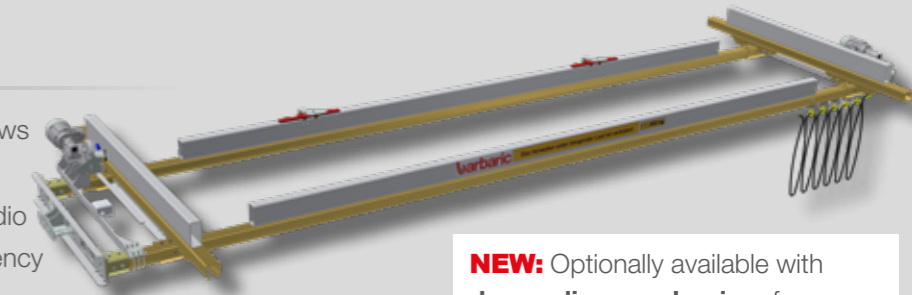
Load-guiding system

The load guidance is connected via a double bridge on the rail system. This suspension gives stability and prevents the load from tilting or swinging. Aluminium construction for minimal weight. Due to the use of different type of beams, the load guidance is optionally available with an electric trolley and bridge drive.



Electrical Bridge Drive

The electric Omega drive (toothed belt drive) allows a safe and precise drive of the crane bridge. Controllable directly on the lifting device or by radio remote control, infinitely variable speed by frequency converter or with starting brake ramp.



NEW: Optionally available with **decoupling mechanism** for simultaneous use by hand or motor.

SGL MegaLifter

For vertical transport of oversized glass panels with a length from 12 to 18 m and a maximum weight of 2800 kg. The hydraulic extensions (3 m on both sides), as well as the hydraulic centre of gravity adjustment in both directions serve for stabilization and for exact suction and storage of the glass. Designed for hanging in the customer's crane hook and with the patented Barbaric safety solution for monitoring all critical processes.



Product video

UniGlass UGL 4F

Special handling solution for curved glass. Due to the universal design convex or concave lenses can be accommodated.

Fields of application:

- > Removal of glass from an oven
- > Manipulation through the processing steps (tilting and rotation possible)
- > Installation on-site (construction version with battery available)

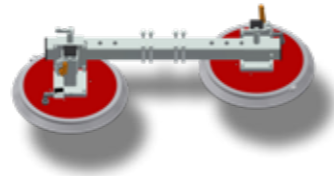


Special beams and suction traverses

We offer a suitable lifting beam for every application.

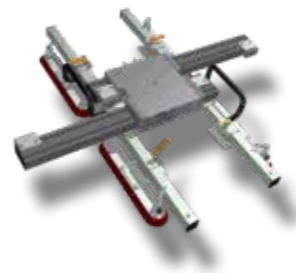
Cross beam

Working load 250 kg. With 2 lockable suction cups (diameter 350 mm).
The beam can also be delivered with 2 smaller suction cups (diameter 270 mm).
The suction cups can be locked by spring bolt in 3 steps.



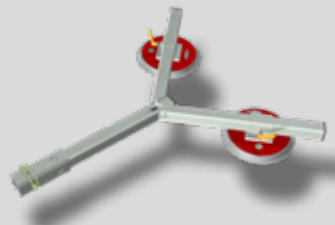
Cross beam for windows

Working load until max. 400 kg. Also suitable for transporting windows and doors with glazing bars with adjustable distance between the beams.



Telescopic beam

Working load 200 kg. Suitable for transporting windows and doors on the outer frame. The offset slide is equipped with a parallel guide.



Y-slip beam

Optional cross beam extension especially suitable for the stabilization of large and thin glass.



Service / After-Sales

WE ARE THERE FOR OUR CUSTOMERS - EVEN YEARS AFTER THE SALE.

Quality, efficiency and innovation - three keywords that apply specifically to Barbaric's service competence. The employees of our service hotline have been with us for many years and

have excellent knowledge of our products. They will be happy to help you - no matter whether it is a spare part, maintenance or service request.

SERVICE -HOTLINE

Phone: +43 732 779800-300

email: service@barbaric.at

Mon – Fri 07:00 – 16:00

SPARE PARTS -HOTLINE

Phone: +43 732 779800-400

email: spareparts@barbaric.at

Mon – Thu 07:00 – 16:00

Fri 07:00 – 12:00

Barbaric - your competent partner for any vacuum handling application

Manual handling solutions (for wood and construction sites)

Not only in the glass sector, but also in the wood panel and furniture production or for construction site use, Barbaric provides optimal handling solutions for safe and ergonomic lifting applications.



Automatic wood panel and parts handling

In addition to our vacuum lifters, our company is also known worldwide for automatic handling systems. Panel storage systems, feeding systems, buffer storage, return systems are only a few examples of modern systems in the field of material handling. Each system in this area is built individually according to the requirements of our customers, while existing components and proven concepts are used.



Imagevideo

www.barbaric.at



Ideas that move.

Headquarter

Barbaric GmbH

Pummererstrasse 12

4020 Linz, Austria

Phone: +43 732 779800

email: office@barbaric.at

Production facility

Barbaric GmbH

Lichtenberger Strasse 37

4201 Eidenberg, Austria

Sales locations & subsidiaries



Germany

Barbaric GmbH Germany
Lammgasse 7
75382 Althengstett, Germany
Phone: +43 732 779800
email: germany@barbaric.at



North America

Barbaric North America Inc.
301 Kitty Hawk Drive
US-27560 Morrisville
Phone: +1 919 425 2803
email: info@barbaric.us

www.barbaric.at

